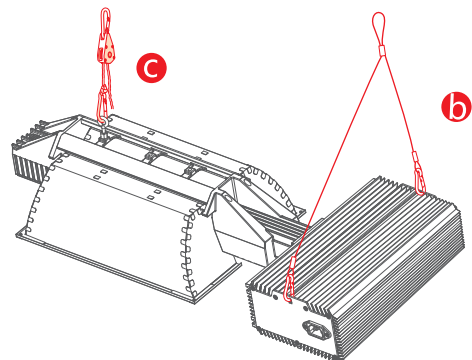
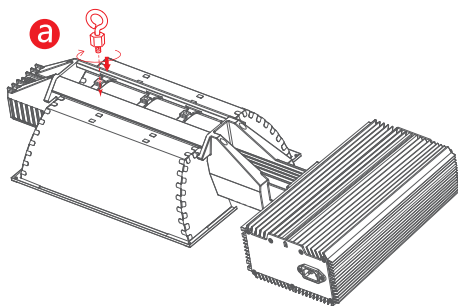


## FIXTURE HANGING

Fixture hanging equipment included with unit for necessary mounting.

1. Attach the ring bolt to the reflector support frame(a).
2. Attach the carbiners on the steel wire hanger to ballast hanging holes(b).
3. Hang the fixture in the desired location(c).



## MAINTENANCE

There are no serviceable parts inside the luminaire. Opening the luminaire will void warranty. Keep housing clean from dust and dirt with a dry or damp cloth to ensure optimal cooling. When using a damp cloth disconnect from the power first. Check your electrical connections regularly.



## WARRANTY

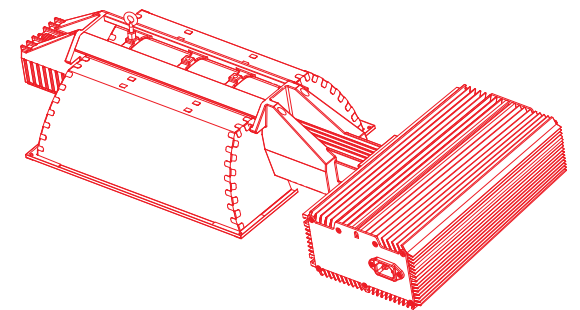
Nanolux Technology warrants the mechanical and electronic components of this product to be free of defects in material and workmanship if used under normal operating conditions for a period of three (3) years from the original date of purchase. If the product shows any defects within this period and that defect is not due to user error or improper use Nanolux Technology shall, at its discretion, either replace or repair the product using suitable new or refurbished parts. For Nanolux DE CMH lamps and reflector the warranty period is one (1) year from the original date of purchase. In case Nanolux decides to replace the entire product, this limited warranty shall apply to the replacement ballast for the remaining initial warranty period, i.e. three (3) years from the date of purchase of the original product. For service return the ballast to your shop with the **original sales receipt**.

For more information about Nanolux product please visit [nanoluxtech.com](http://nanoluxtech.com)

# OPERATING MANUAL

## DIGITAL ELECTRONIC BALLAST

Ceramic Metal Halide  
DOUBLE ENDED FIXTURE  
1000W  
NCCS APP COMPATIBLE



PATENTED PRODUCTS, COUNTERFEITING NOT ALLOWED.

Designed by NANOLUX in California  
Made in China

**NANOLUX** CMH  
[www.nanoluxtech.com](http://www.nanoluxtech.com)  
*Illuminating Your Grow*

## PLEASE READ THESE INSTRUCTIONS FIRST BEFORE INSTALLATION

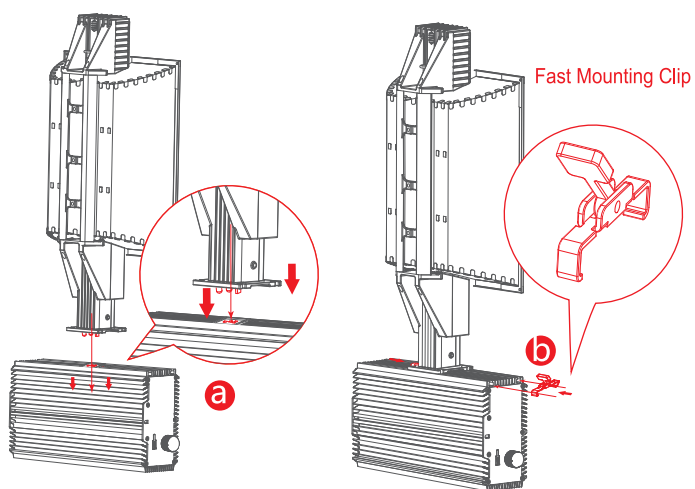
Congratulations on the purchase of your new Nanolux DE CMH 1000W luminaire. We have done everything to insure a long life and safe operations, but the installations and use of the ballast is the responsibility of the user. Incorrect use or installations can lead to failure and damage to the ballast. Damage to the luminaire and electronic circuitry as a result of incorrect installations and use revokes your warranty. Read this manual carefully before installing your luminaire.

## TECHNICAL SPECIFICATIONS

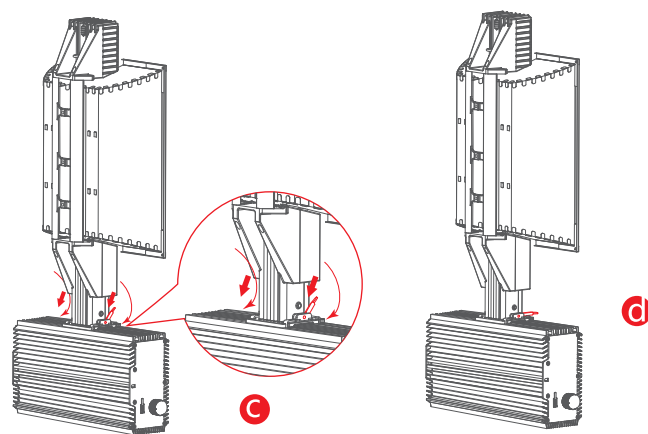
Model	CMH 1000W Series
Input Voltage	208V-240V
Output Voltage	200V-260V
Input Frequency	50/60Hz
Output Power	1000W Max
Power Factor	≥0.99
Crest Factor	≤1.7
THD	≤10%
Dimming	500W, 750W, 875W, 1000W
Strike Lamp	1000W Double Ended Ceramic Metal Halide Lamp * Use only Maxpar 1000W double jacketed CMH lamp with this fixture
Protection Function	Over Temperature Protection; Under Voltage Protection; Open/Short Circuit Protection;
Size (L*W*H)	670*305*120 mm 26.4*12.0*4.7 inch
Weight	6.6 kgs 14.6 lbs

## INSTALL FIXTURE ON BALLAST

1. Shut off the power.
2. Hold the fixture from its base and plug in the fixture by inserting the male plug into the socket.
3. Slide the fast mounting clips into the grooves on the ballast until they are in place to hold the fixture.
4. Press the fast mounting lever to lock fixture base to ballast.
5. Confirm the fixture is installed on ballast property and is not loose.



-01-



## INSTALLATION COMPLY WITH LOCAL INSTALLATION REGULATIONS

These luminaires are suitable for a damp indoor location. Do not install your luminaires in a wet environment or outdoors.

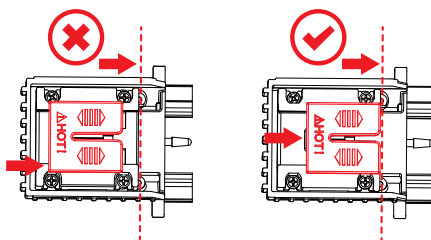
Do not operate these luminaires close to combustible materials. The lamp and reflector will get hot during operation. Do not touch the reflector or lamp during or right after operation. Make sure the power cord does not touch any hot part of the luminaire. Make sure the lamp is clean and inserted correctly.

A normal operating environment temperature should be below 122°F. Exceeding the maximum environmental temperature will stress electronic components, which will lead to shorter lifetime and decreased reliability.

## LAMP REPLACEMENT AND HOT RESTRIKE

### CAUTION:

- Always install the lamp before connecting your luminaire to mains.
- Allow lamp to cool 30 minutes before restarting (hot restrike).
- When changing the lamp always disconnect the luminaire from mains by removing the mains plug. Let the lamp and reflector cool down for 30 minutes before changing as they are very hot. When replacing a defect lamp without disconnecting mains the lamp will not start. Disconnecting the power will restart the ballast.
- **DO NOT touch hot Ceramic socket.**
- **Make sure the DE lamp wires are correctly within the socket copper wire clamps.**
- **Make sure to fully close the ceramic socket to the correct position and keep the socket clean to provide proper function.**
- **Fragile !! Be careful and do not exert excessive force while moving the ceramic slider on the ceramic socket connection**
- **Keep away from water.**



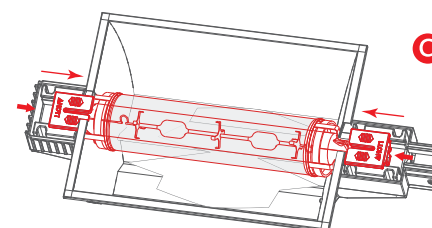
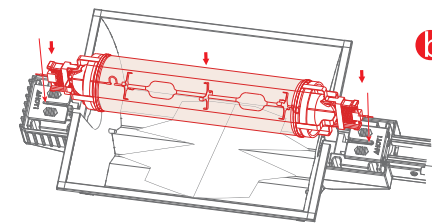
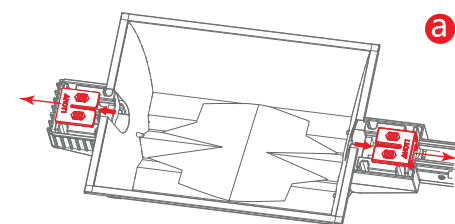
-02-

### TO TAKE OUT A LAMP:

- DISCONNECT THE MAINS FIRST
- Open the lamp holders by sliding them outward. The lamp is held by a metal spring at each side, though it is recommended to hold the lamp while opening the lamp holders to prevent the lamp from falling.

### TO INSTALL A NEW LAMP:

- DISCONNECT FROM MAINS FIRST
- Make sure the lamp is clean, wear cotton gloves and clean the lamp after installation with a dry soft cloth. Never use detergents to clean a lamp, use pure alcohol or whip clean with a dry clean soft cloth.
- Make sure the end wires are straight.
- Open the lamp holders by sliding them outward. Press the lamp in the fitting until the metal springs hold the lamp, with the glass vacuum seal pointed downward.
- Close the lamp holders by sliding them inward.
- Wipe the lamp with a clean soft cloth.
- Be sure not to touch the reflective material of the reflector with your bare hands.



## SUITABLE LAMPS

The Nanolux CMH 1000 Ceramic Metal Halide fixtures are designed and tested to drive DE Ceramic Metal Halide (CMH) 1000W lamps only. Do not use any other type of lamp or rated wattage, which may cause damage to your ballast and lamp.

## REFLECTOR REPLACEMENT

The Nanolux DE CMH fixture should be handled with care. If it is damaged or deformed you should replace it. We recommend to change the reflector every year for optimal results. Replacement reflectors are available through your Nanolux Technology reseller.

To replace the reflector, you must remove the lamp first as described above in how to install the lamp. Let the reflector cool down if it has been operating to prevent an injury. At the end of the reflector bracket, you will find a chrome knob. Pull the knob outward to release the pin holding the reflector in place (a-1). The reflector can then be pulled away from the ballast end of the bracket to remove it from the two pins holding it in place (a-2 & a-3). When inserting the new reflector, slide it into the two pins (a-2 & a-3) and then release the pin (a-1) to secure it in place.

-03-

